

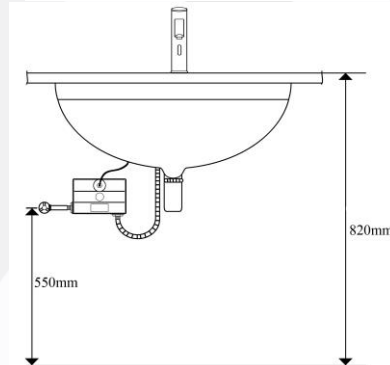
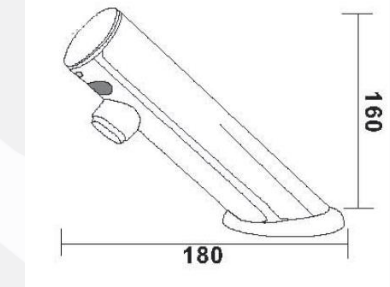
Hydraulic Automatic Sensor Basin Tap

GTB

Product
HG5133

Description

Chrome plated hydraulic rechargeable lithium battery sensor basin faucet with control box (equipped with DC battery backup power supply), flexible supply pipe & G08 external water filter



Features:

- ◆ Eco friendly: 100% eco friendly and less pollution to the environment.
- ◆ Convenient to maintain: Using mini micro turbine or self-powered hydro-generator as main power source, hence, eliminating the need for batteries or AC power.
- ◆ Anti-impurity: The solenoid valve built-in filter screen prevents debris in the water from clogging the tap, and therefore increases the durability of the products.
- ◆ Hygienic: State of the art infrared sensor technology and touch-free design thus can prevent users from bacteria mutual infection.
- ◆ Water-saving: Open/shut off water automatically according to intelligent program to avoid water wasting.

Specifications:

- ※ Sensing Distance: 10-35CM adjustable (factory default 28CM)
- ※ Dynamic Water Pressure: 0.1MPa-0.7Mpa
- ※ Static Electric Current: ≤ 20μA
- ※ Dynamic Electric Current: ≤ 300mA
- ※ Overtime Protection of Each Water Flow: 60S
- ※ Response Time: ≤ 0.5S (second)
- ※ Turn Off Time: ≤ 1S (second)
- ※ Ambient Temperature: 0-55℃
- ※ Ambient Humidity: 0-100%RH
- ※ Low Voltage Testing: Water Flowing 3L(liter) to Supply Voltage
- ※ Generator Efficiency: ≥100mW/0.20MPa

Remarks:

Product Details

Brand	GTB
Materials	Brass
Finish	Chrome Plated

Dimension	As Shown
Country of Origin	HK
WELS	-
WSD Ref. No.	- C20110152
Expiry Date	- 27 July, 2016

* Information provided above is for reference only and is subject to change without prior notice.



Glory Top Building Materials Ltd
Glory Top Architectural Hardware Ltd
 高晉 建築材料有限公司
 高晉 五金建材有限公司

T | 3583 8333
 E | Info@glorytop.com.hk
 W | www.glorytop.com.hk
 A | 15/F, 8 Jordan Road, Kowloon