

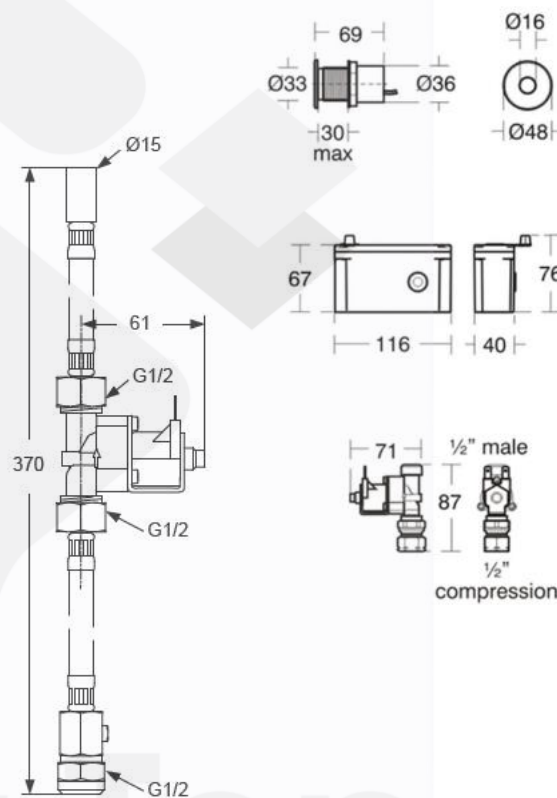
# Sensorflow 21 – Urinal Sensor

Armitage Shanks

**Product**  
A7001AA

**Description**

'Sensorflow 21' chrome plated panel mounted urinal sensor flush valve with plastic valve body with WELS Grade 1 label, AC powered with safety transformer.



**Remarks:**

Suitable for water systems from 1bar to 6bar. Includes 6 l/min regulator and default 0.4L per flush (flushing time 4 sec)  
EN 60950, EN 60335 approved, UL 1310 listed. Solenoid valve tested to DIN EN 60730-1 : Type 1. Class of Protection II.

**Product Details**

<b>Brand</b>	Armitage Shanks	<b>Dimension</b>	As Shown
<b>Materials</b>	Plastic / Brass	<b>Country of Origin</b>	United Kingdom (UK)
<b>Finish</b>	Chrome Plated	<b>WELS</b>	1U 19-0024
		<b>WSD Ref. No.</b>	C20190153F
		<b>WRAS No.</b>	-
		<b>Expiry Date</b>	2 January 2024

\* Information provided above is for reference only and is subject to change without prior notice.



Glory Top Building Materials Ltd  
Glory Top Architectural Hardware Ltd  
高晉 建築材料有限公司  
高晉 五金建材有限公司

T | 3583 8333  
E | Info@glorytop.com.hk  
W | www.glorytop.com.hk  
A | 15/F, 8 Jordan Road, Kowloon