

Contour 21+ – Water Closet

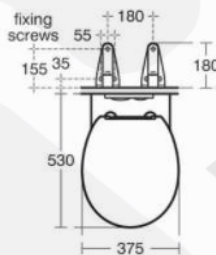
Armitage
Shanks

Product

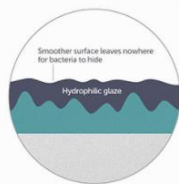
S0443HY - WC Bowl
S067001 - Seat & Cover
S913967 - Bracket

Description

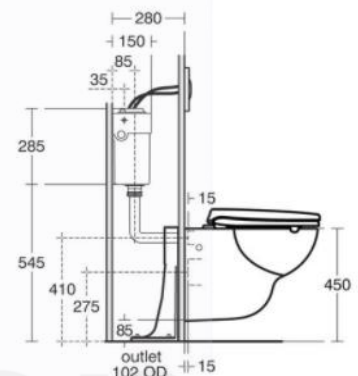
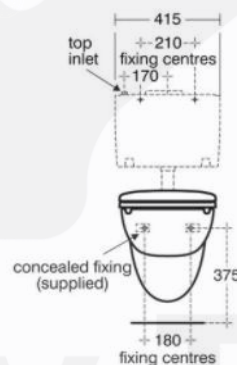
'Contour 21+' vitreous china wall hung rimless WC horizontal outlet and anti-microbial glaze, with WELS Grade 1 label, with 'Contour 21+' slim slow close seat and cover with top fix hinges, with aluminium alloy bracket.



S913967 Aluminium alloy bracket for wall hung WC



Anti-Bacterial SmartGuard Surface



Remarks:

Vitreous china to BS3402. WC pan to BS EN 997 and BS EN 33.
HTM64-2006 & HBN00-10 Listed.
2.6/4L dual flush
Antibacterial test to MOD ISO 22196.

Product Details

Brand	Armitage Shanks	Dimension	530 x 375 x 365mm
Materials	Vitreous China	Country of Origin	United Kingdom (UK)
Finish	SmartGuard - White	WELS	WC 20-0077
		WSD Ref. No.	-
		WRAS No.:	-
		Expiry Date	-

* Information provided above is for reference only and is subject to change without prior notice.



Glory Top Building Materials Ltd
Glory Top Architectural Hardware Ltd
高晉 建築材料有限公司
高晉 五金建材有限公司

T | 3583 8333
E | Info@glorytop.com.hk
W | www.glorytop.com.hk
A | 15/F, 8 Jordan Road, Kowloon