

Green – Sensor Faucet

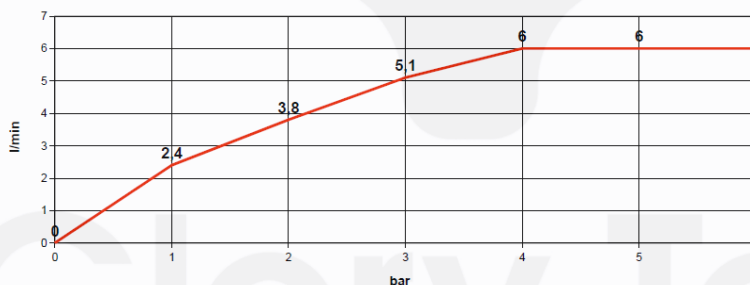
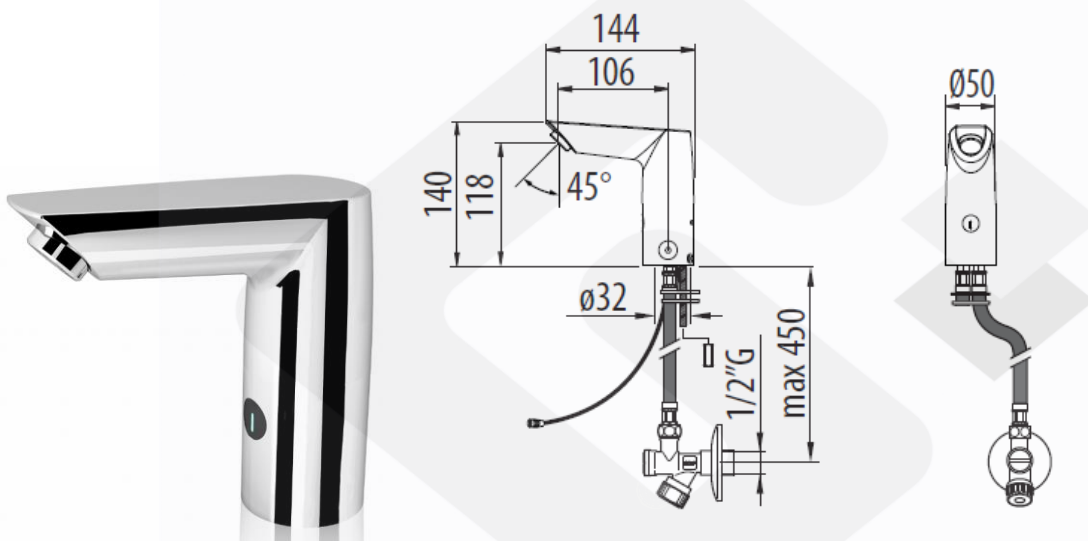


Product

29206

Description

'Green' chrome plated deck mounted sensor faucet for cold or pre-mixed water, with flow regulator of 6L/min flow rate, AC powered.



Remarks:

230VAC -5VDC safety transformer, IMQ approved and CEI EN 61558-1/-2-6 standard Flood and consumption protection devices that automatically stop water flow after 90 sec of continuous use

Stop taps with 0.2mm stainless steel mesh filters and non-return valves. Built-in flow regulator (6L/min) Solenoid valve : 3V (with dual internal filter). IP65 class protected electrical parts. Sensor range within 300mm. Sensor timing adjustable from 6s to 3 minutes with factory at about 30s. Strainer filter refer to installation manual (Fig.6)

Product Details

Brand	DMP	Dimension	As Shown
Materials	Brass	Country of Origin	Italy
Finish	Chrome Plated	WELS	Grade 1 (TN16-0002)
		WSD Ref. No.	C20150081
		Expiry Date	29 April, 2020

* Information provided above is for reference only and is subject to change without prior notice.



Glory Top Building Materials Ltd
Glory Top Architectural Hardware Ltd
 高晉 建築材料有限公司
 高晉 五金建材有限公司

T | 3583 8333
 E | Info@glorytop.com.hk
 W | www.glorytop.com.hk
 A | 15/F, 8 Jordan Road, Kowloon