

Lockcase

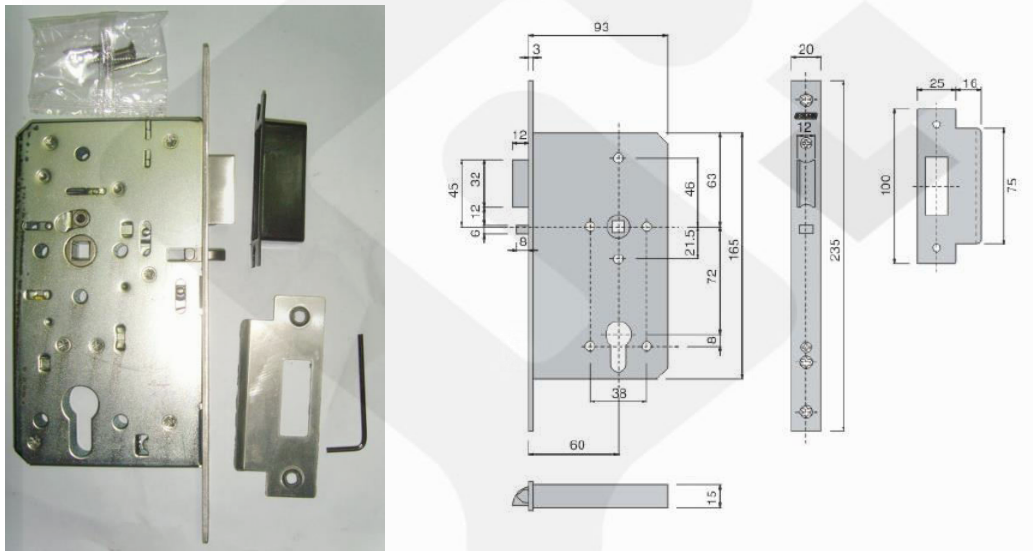


Product

EL2070-S-SS

Description

mortise euro-profile cylinder operated classroom lockcase with anti-thrust function, 60mm backset, tested to EN12209 with classification 3-X-8-0-0-F-1-B-0-A-0 & DIN18251, Grade 316 latchbolt, square forend & strike plate in satin finish.



Remarks:

Remark

Product Details

Brand	Schlage	Dimension	-
Materials	-	Country of Origin	PRC
Finish	Grade 316 Satin Stainless Steel Forend & Strike Plate		

* Information provided above is for reference only and is subject to change without prior notice.



Glory Top Building Materials Ltd
Glory Top Architectural Hardware Ltd
高晉 建築材料有限公司
高晉 五金建材有限公司

T | 3583 8333
E | Info@glorytop.com.hk
W | www.glorytop.com.hk
A | 15/F, 8 Jordan Road, Kowloon