

Markwik 21+ – Basin Mixer

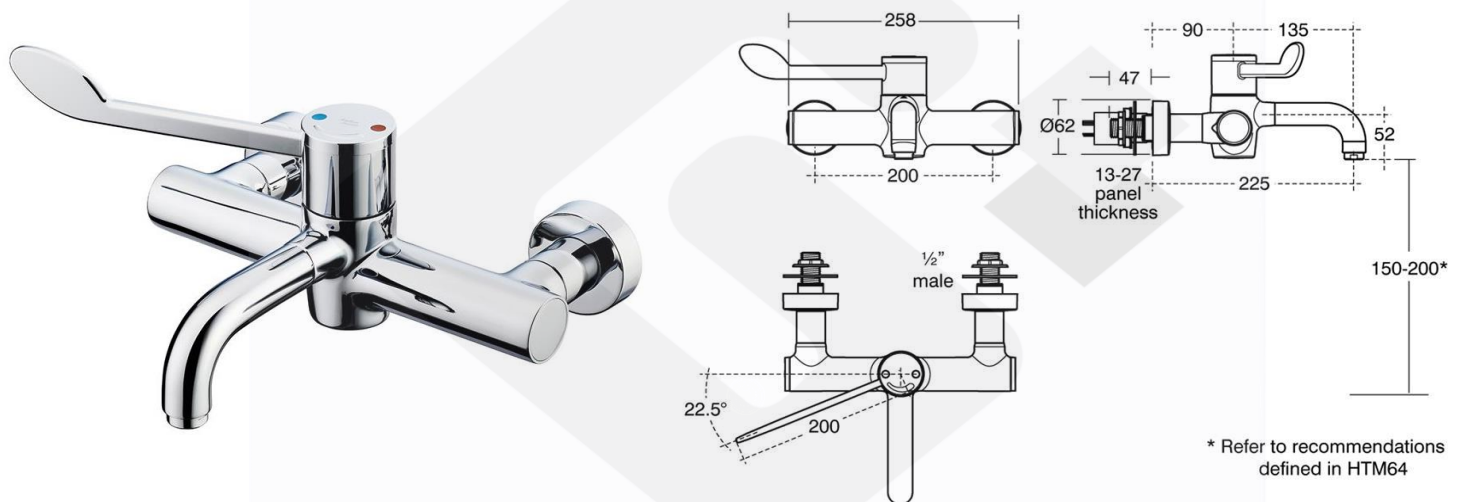
Armitage
Shanks

Product

A6682AA

Description

'Markwik 21+' chrome plated panel mounted single lever sequential thermostatic basin mixer with Bioguard anti-bacterial outlet and detachable spout.



* Refer to recommendations defined in HTM64

Remarks:

Conforms to HTM 04-01 Addendum 2014

Available with fixed or removable spout

Bioguard against bacteria

Single lever for on/off operation and temperature control.

Especially suited to medium and large hospital pattern integral back outlet basins and washing associated with clinical or nursing procedures.

Fitted with an Armitage Bioguard outlet which reduces the opportunity for biofilm attachment and is lined with anti-microbial copper.

Unique built-in thermal disinfection cleansing feature.

Spout is removable for autoclave sterilisation.

Body demounts for submergible disinfection.

Suitable for high and low pressure systems.

Flow rate regulated to maximum of 10 Litres per minute.

A separate purging kit is available to facilitate initial installation flushing and water sampling.

Product Details

Brand	Armitage Shanks	Dimension	As Shown
Materials	Brass	Country of Origin	United Kingdom (UK)
Finish	Chrome Plated	WELS	-
		WSD Ref. No.	B20170119
		WRAS No.	1704021
		Expiry Date	30 April, 2022

* Information provided above is for reference only and is subject to change without prior notice.



Glory Top Building Materials Ltd
Glory Top Architectural Hardware Ltd
高晉建築材料有限公司
高晉五金建材有限公司

T | 3583 8333
E | Info@glorytop.com.hk
W | www.glorytop.com.hk
A | 15/F, 8 Jordan Road, Kowloon