

Miniuno 32 – Sensor Faucet

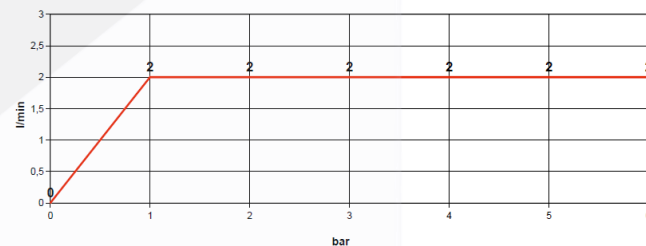
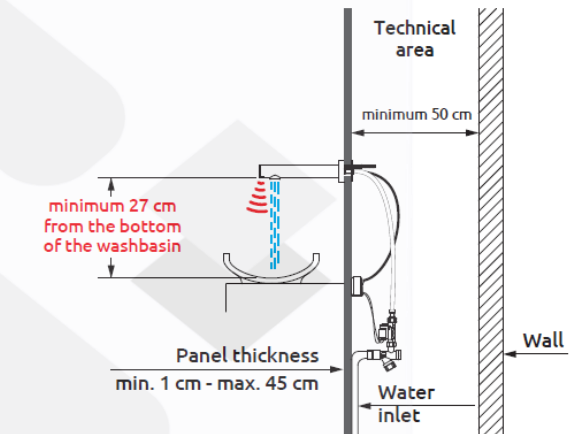
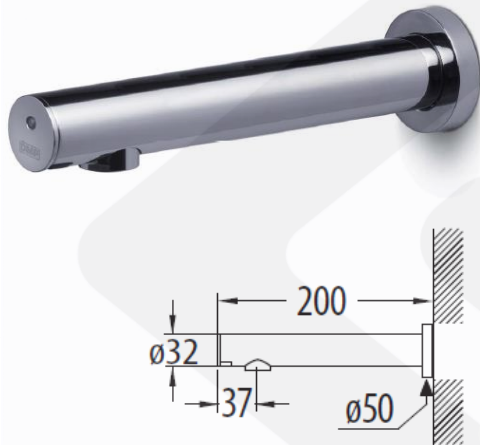


Product

24506

Description

'Miniuno 32' chrome plated panel mounted sensor faucet for cold or pre-mixed water, with WELS Grade 1 label, with R/61500 angle valve, AC powered



Remarks:

230VAC -5VDC safety transformer, IMQ approved and CEI EN 61558-1/-2-6 standard

Flood and consumption protection devices that automatically stop water flow after 90 sec of continuous use

Stop taps with 0.2mm stainless steel mesh filters and non-return valves.

Built-in flow regulator (6L/min)

IP65 class protected electrical parts

Sensor range of action : 12 - 35cm

DUAL Sensor Option -

Waving Hand Sensor (Front) - Hand waving actuator for 3min continuous water flow or stop water flow before 3min time interval.
Normal Infrared Sensor (Down) - when object placed in front of the normal sensor eye, water will flow, when withdraw, water will stop immediately.



Product Details

Brand	DMP	Dimension	As Shown
Materials	Brass	Country of Origin	Italy
Finish	Chrome Plated	WELS	TN 18-0027
		WSD Ref. No.	C20160498
		Expiry Date	15 February, 2021

* Information provided above is for reference only and is subject to change without prior notice.



Glory Top Building Materials Ltd
Glory Top Architectural Hardware Ltd
高晉建築材料有限公司
高晉五金建材有限公司

T | 3583 8333
E | Info@glorytop.com.hk
W | www.glorytop.com.hk
A | 15/F, 8 Jordan Road, Kowloon