

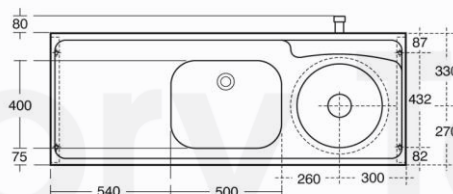
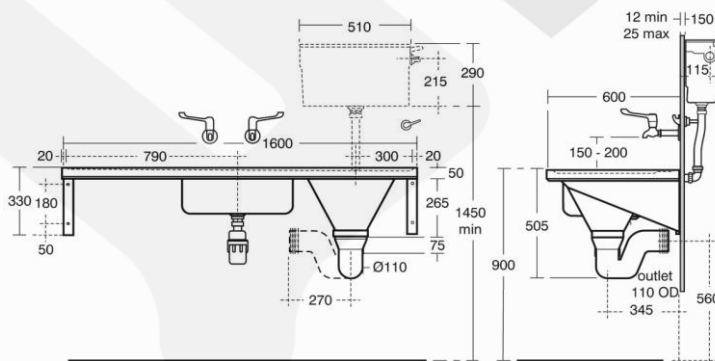
# Hopper Sink

## Product

S6551ZZ - Slop Hopper Sink  
 S8760AA - Waste Fittings  
 S358401 - P Trap

## Description

DUHS Grade 316 stainless steel slop hopper sink with sink bowl, back inlet type, with 1-1/2" chrome plated unslotted waste fittings, plastic P trap outlet in white colour. (Right Hand Hopper)



## Remarks:

1.2mm Stainless steel sheet conforms to BS EN 10088:Part 2:2005  
 Conform HTM64(2006) & HBN00-10C

## Product Details

<b>Brand</b>	Armitage Shanks	<b>Dimension</b>	1600 x 600 x 330mm
<b>Materials</b>	Stainless steel Grade 316	<b>Country of Origin</b>	United Kingdom (UK)
<b>Finish</b>	Satin	<b>WELS</b>	-
		<b>WSD Ref. No.</b>	-
		<b>WRAS No.:</b>	-
		<b>Expiry Date</b>	-

\* Information provided above is for reference only and is subject to change without prior notice.



Glory Top Building Materials Ltd  
 Glory Top Architectural Hardware Ltd  
 高晉 建築材料有限公司  
 高晉 五金建材有限公司

T | 3583 8333  
 E | Info@glorytop.com.hk  
 W | www.glorytop.com.hk  
 A | 15/F, 8 Jordan Road, Kowloon