

Cleaner Sink

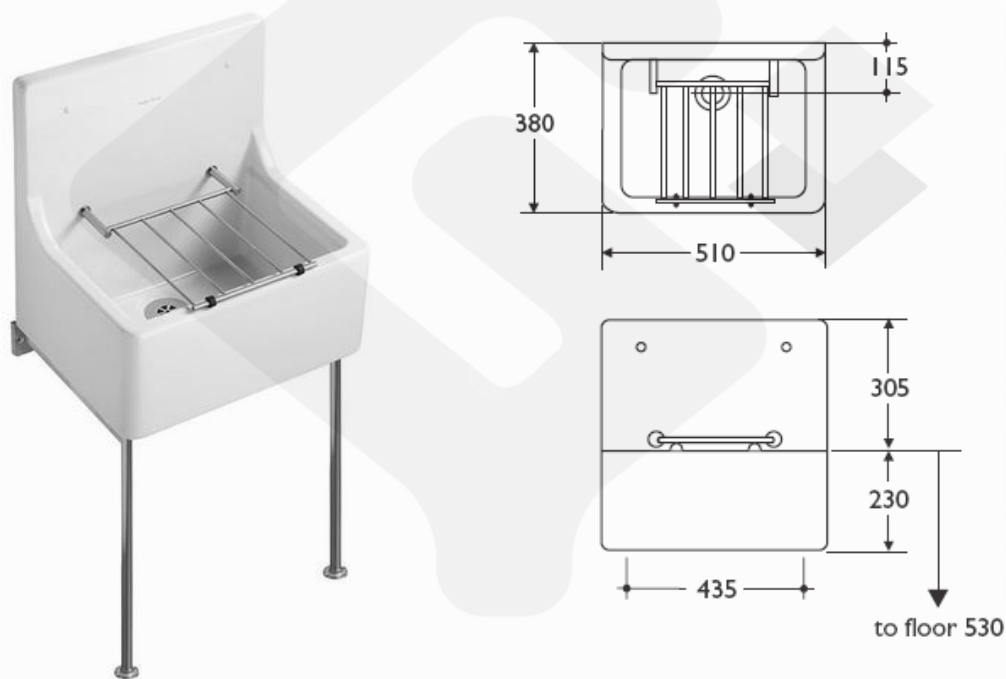
Armitage Shanks

Product

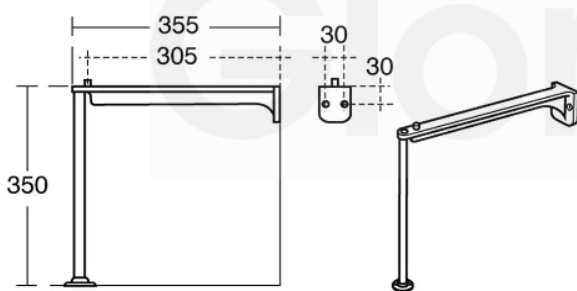
S590001 – Sink
 S8726AA - Waste Fittings
 S9233MY - Leg Support
 S910101 - Domex Screws

Description

'Alder' fireclay wall mounted 305mm high back cleaner sink with stainless steel bucket grating & rubber bumper, with stainless steel legs with aluminum alloy screw to wall bearers, chrome plated 1-1/2" unslotted strainer waste, with 'Domex' screws.



Fittings :



S9233MY stainless steel front leg support and bearer



S910101 pair of Domex Screws



S8726AA waste fittings

Product Details

Brand	Armitage Shanks	Dimension	535 x 510 x 380mm
Materials	Fireclay	Country of Origin	United Kingdom (UK)
Finish	White	WELS	-
		WSD Ref. No.	-
		WRAS No.:	-
		Expiry Date	-

* Information provided above is for reference only and is subject to change without prior notice.



Glory Top Building Materials Ltd
Glory Top Architectural Hardware Ltd
 高晉 建築材料有限公司
 高晉 五金建材有限公司

T | 3583 8333
 E | Info@glorytop.com.hk
 W | www.glorytop.com.hk
 A | 15/F, 8 Jordan Road, Kowloon