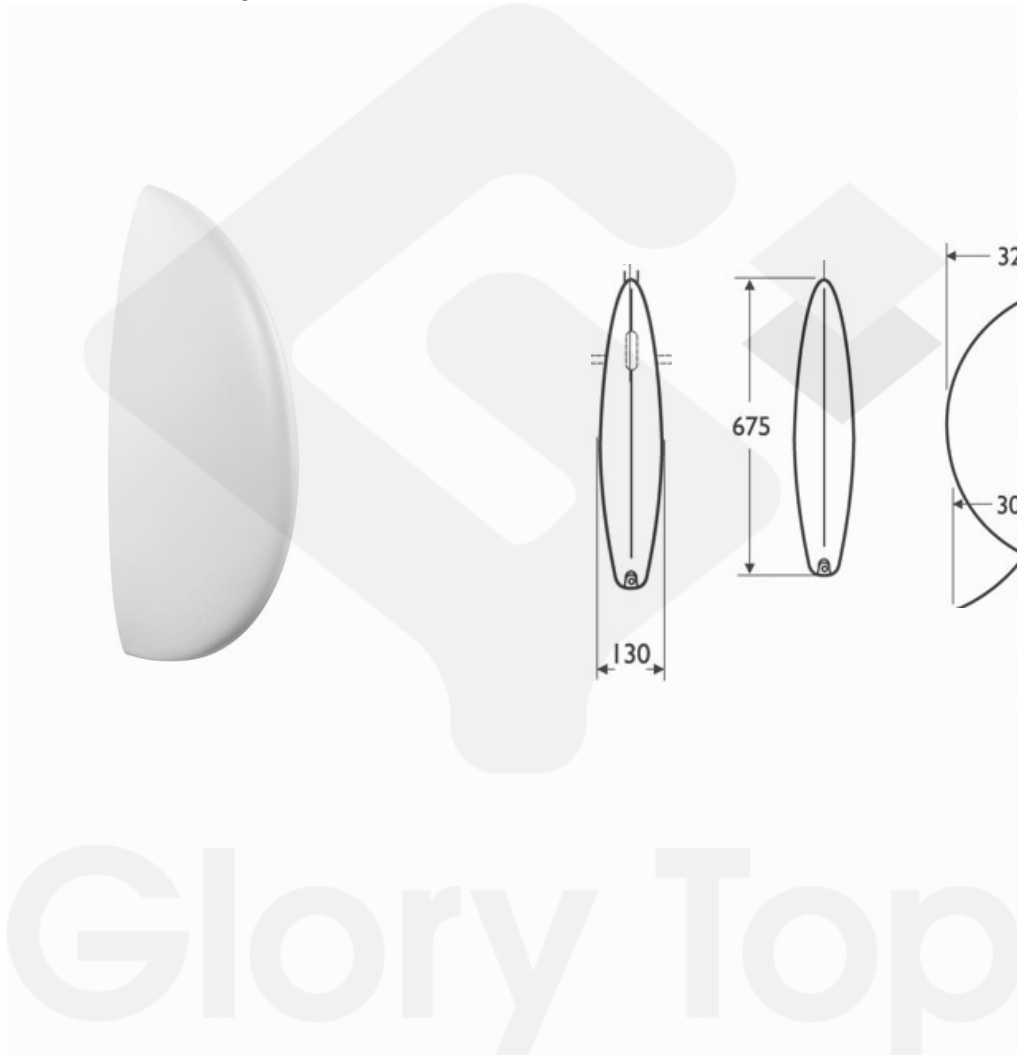


Product

S612001

Description

Vitreous china division with hanger and screw



Remarks:

Vitreous china complies with BS 3402.

Product Details

Brand	Armitage Shanks	Dimension	675 x 320 x 130mm
Materials	Vitreous China	Country of Origin	United Kingdom (UK)
Finish	White	WELS	-
		WSD Ref. No.	-
		WRAS No.:	-
		Expiry Date	-

* Information provided above is for reference only and is subject to change without prior notice.



Glory Top Building Materials Ltd
Glory Top Architectural Hardware Ltd
 高晉 建築材料有限公司
 高晉 五金建材有限公司

T | 3583 8333
 E | Info@glorytop.com.hk
 W | www.glorytop.com.hk
 A | 15/F, 8 Jordan Road, Kowloon