

Class Metal – Sensor Faucet

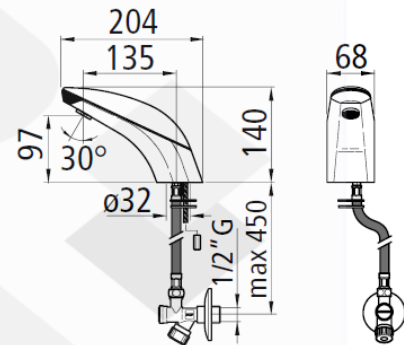


Product

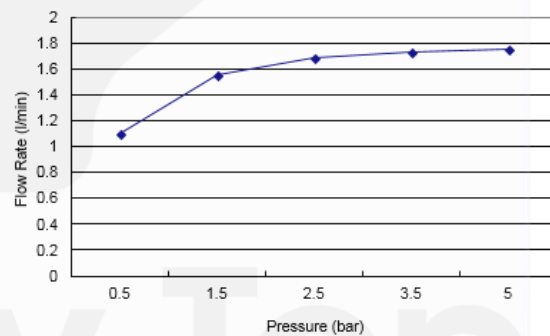
82106

Description

'Class Metal' chrome plated deck mounted sensor faucet with WELS Grade 1 label, DC powered, with flexible hose and R/61500 angle valve with strainer and flange cover.



Flow Rate Chart of DMP Class Metal



Remarks:

- 3x1.5V AA alkaline batteries, guarantees 4-year battery life with 200 activations per day
- Flood and consumption protection devices that automatically stop water flow after 90 sec of continuous use
- Stop taps with 0.2mm stainless steel mesh filters and non-return valves.
- Built-in flow regulator
- Solenoid valve : 3V (with dual internal filter)
- IP65 class protected electrical parts
- Sensor range of action : 12 - 35cm

Product Details

Brand	DMP	Dimension	As Shown
Materials	Brass	Country of Origin	Italy
Finish	Chrome Plated	WELS	TN 18-0026
		WSD Ref. No.	C20170664
		Expiry Date	26 September 2022

* Information provided above is for reference only and is subject to change without prior notice.



Glory Top Building Materials Ltd
 Glory Top Architectural Hardware Ltd
 高晉建築材料有限公司
 高晉五金建材有限公司

T | 3583 8333
 E | Info@glorytop.com.hk
 W | www.glorytop.com.hk
 A | 15/F, 8 Jordan Road, Kowloon