

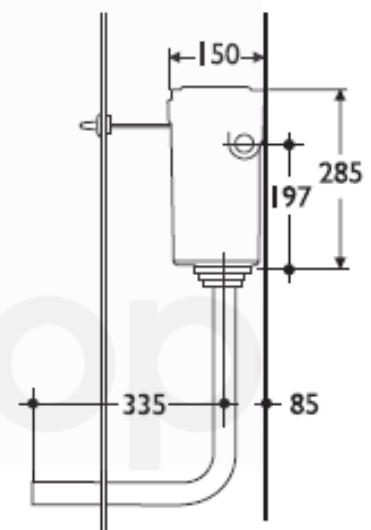
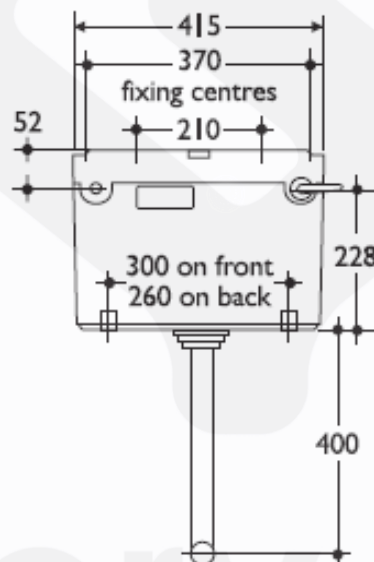
# Conceala 2 – Cistern

## Product

S361767

## Description

Conceala 2 cistern & cover, 6 litres capacity, with Freeflo plastic syphon fittings, 1/2" Microvalve HP/LP ballvalve, side supply, external overflow, plastic flushbend, Simpla inlet connector, large easy grip lever extended through wall (max. 150mm thickness)



## Product Details

<b>Brand</b>	Armitage Shanks	<b>Dimension</b>	As Shown
<b>Materials</b>	-	<b>Country of Origin</b>	United Kingdom (UK)
<b>Finish</b>	CP lever	<b>WELS</b>	-
		<b>WSD Ref. No.</b>	-
		<b>WRAS No.:</b>	-
		<b>Expiry Date</b>	-

\* Information provided above is for reference only and is subject to change without prior notice.



Glory Top Building Materials Ltd  
Glory Top Architectural Hardware Ltd  
高晉 建築材料有限公司  
高晉 五金建材有限公司

T | 3583 8333  
E | Info@glorytop.com.hk  
W | www.glorytop.com.hk  
A | 15/F, 8 Jordan Road, Kowloon