

Class Metal – Sensor Faucet

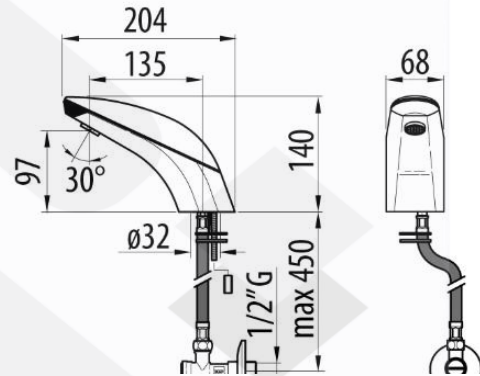


Product

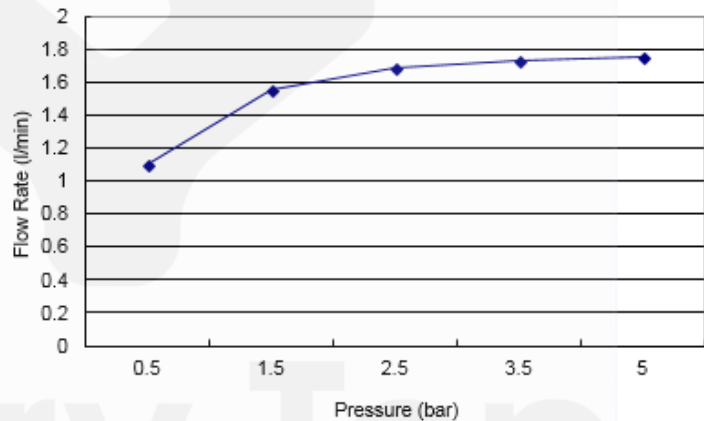
22106

Description

"Class Metal" chrome plated deck mounted sensor faucet, with flow regulator of 2L/min flow rate, with WELS Grade 1 label, AC powered.



Flow Rate Chart of DMP Class Metal



Remarks:

230VAC -5VDC safety transformer, IMQ approved and CEI EN 61558-1/-2-6 standard Flood and consumption protection devices that automatically stop water flow after 90 sec of continuous use

Stop taps with 0.2mm stainless steel mesh filters and non-return valves.

Built-in flow regulator

Solenoid valve : 3V (with dual internal filter)

IP65 class protected electrical parts

Sensor range of action : 12 - 35cm

Product Details

Brand	DMP	Dimension	As Shown
Materials	Brass	Country of Origin	Italy
Finish	Chrome Plated	WELS	TN 18-0026
		WSD Ref. No.	C20170664
		Expiry Date	26 September, 2022

* Information provided above is for reference only and is subject to change without prior notice.



Glory Top Building Materials Ltd
 Glory Top Architectural Hardware Ltd
 高晉建築材料有限公司
 高晉五金建材有限公司

T | 3583 8333
 E | Info@glorytop.com.hk
 W | www.glorytop.com.hk
 A | 15/F, 8 Jordan Road, Kowloon