

Contour 21 – Basin Mixer

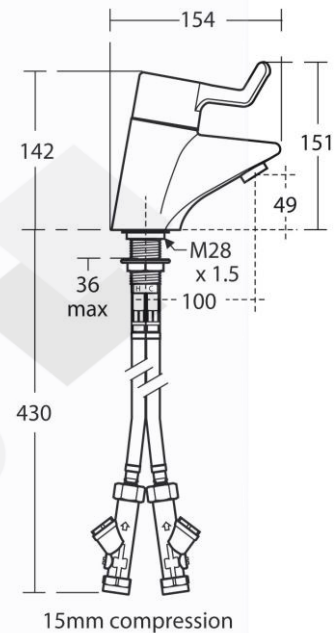
Armitage Shanks

Product

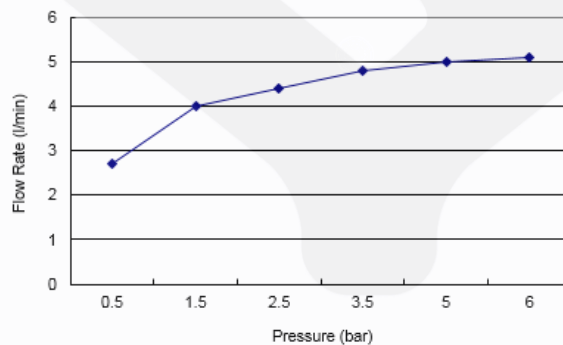
A4131AA

Description

'Contour 21' chrome plated deck mounted thermostatic sequential lever action basin mixer with WELS Grade 1 label.



Flow Rate Chart of Armitage Shanks A4131AA



Remarks:

Conforms to HTM64 (2006), HTM04 and DocM.

Suitable for use with handrinse basins in public areas and Doc M. Satisfies DDA requirements.

Eliminates the need for premixed water.

Suitable for high and low pressure systems.

To ensure system hygiene and user safety the water flow always commences from cold.

Flow rate stays constant even when temperature setting is changed (providing supply pressure is 1.0 bar or higher).

Flow rate limited to a practical economic level irrespective of supply pressure for suitability with high pressure supplies.

Thermostatically set to 41°C with single lever to control flow of water.

Supplied complete with strainer/check valves and flow limiters.

Regulated to max. 5L/min

Product Details

Brand	Armitage Shanks	Dimension	As Shown
Materials	Brass	Country of Origin	United Kingdom (UK)
Finish	Chrome Plated	WELS	Grade 1 (TM 18-0019)
		WSD Ref. No.	B20160334
		WRAS No.	1610048
		Expiry Date	31 October, 2021

* Information provided above is for reference only and is subject to change without prior notice.



Glory Top Building Materials Ltd
 Glory Top Architectural Hardware Ltd
 高晉建築材料有限公司
 高晉五金建材有限公司

T | 3583 8333
 E | Info@glorytop.com.hk
 W | www.glorytop.com.hk
 A | 15/F, 8 Jordan Road, Kowloon